



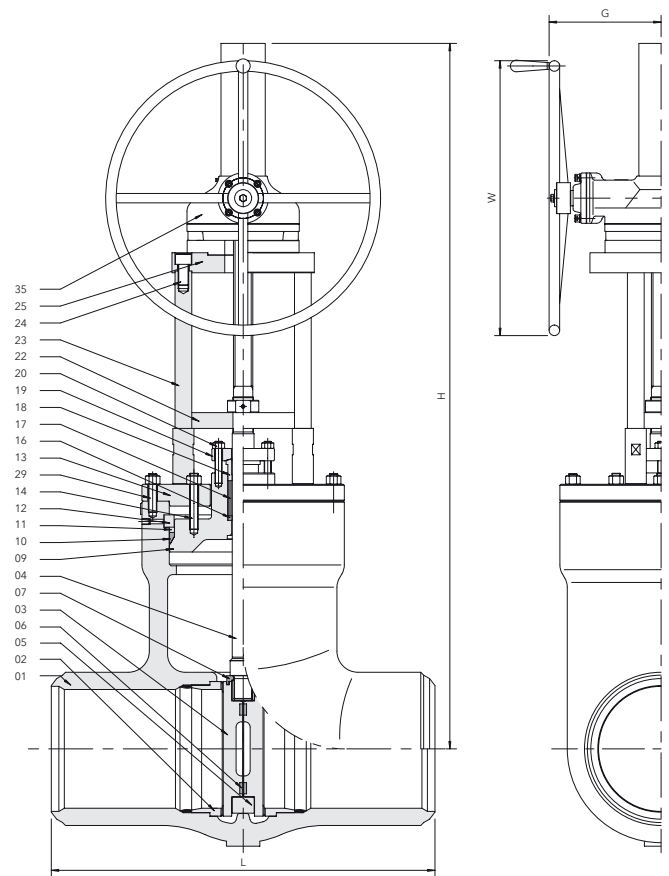
ASME CLASS:  
**900**

### FEATURES

Body	Cast Steel, T-type
Construction	Parallel Slide - Pressure Seal Bonnet - Integral Backseat
Design	ASME B16.34 - API 600 - BS-EN 10434 - EN 12516
Pressure Testing	ASME B16.34 - API 598 - EN 12266
End Connections	Buttwelding
Operation	Handwheel - Gearbox (recommended for items with *) - Electric or Pneumatic Actuator
Options	Double Disc - Flexible Wedge
Auxiliaries	Auxiliary Connections and/or Protection Against Pressure Locking
Accessories	Limit Switches - Locking Device - Stem Cover (others on request)
Body	(S)A216 WCB - (S)A217 WC6 - (S)A217 WC9 - (S)A217 C12A (others on request)

### MATERIALS

01. Body	(S) A216 WCB (see above)
02. Seat Ring	A105 + Stellite #12
03. Parallel Disc	A216 WCB + Stellite #6
04. Stem	A479-410
05. Disc Holder	13 CR
06. Belleville Springs	Inconel 718
07. Disc Guide	13 CR
09. Bonnet	(S) A216 WCB
10. Gasket	Graphite / S.S.
11. Thrust Ring	13 CR
12. Segmental Ring	13 CR
13. Bonnet Clamp	Carbon Steel
14. Bonnet Bolting	A193-B7 / A194-2H
16. Ring	13 CR
17. Stem Packing	Graphite
18. Gland	A276-410
19. Gland Follower	A105
20. Gland Bolting	A193-B7 / A194-2H
22. Position Indicator	Carbon Steel
23. Yoke Bar	Carbon Steel
24. Yoke Bolt	A307-B
25. Yoke Flange	Carbon Steel
29. Clamp Bolting	A193-B7 / A194-2H
35. Gearbox	



### MAIN DIMENSIONS IN MM (INCH)

NOM. SIZE	L	H	W	G	WEIGHT KG
80 (3")	305 (12.0)	650 (25.6)	350 (13.8)	-	80 (176 LB)
100 (4")	356 (14.0)	810 (31.9)	400 (15.7)	-	140 (309 LB)
150 (6")	508 (20.0)	1080 (42.5)	500 (19.7)	-	282 (622 LB)
200 (8")	660 (26.0)	1260 (49.6)	500 (19.7)	-	410 (904 LB)
250 (10")	787 (31.0)	1205 (47.4)	* 500 (19.7)	237 (9.3)	694 (1530 LB)
300 (12")	914 (36.0)	1330 (52.4)	* 630 (24.8)	258 (10.2)	1027 (2264 LB)
350 (14")	991 (39.0)	1500 (59.1)	* 630 (24.8)	258 (10.2)	1213 (2674 LB)
400 (16")	1092 (43.0)	1625 (64.0)	* 710 (28.0)	279 (11.0)	1510 (3329 LB)
450 (18")	1219 (48.0)	1725 (67.9)	* 800 (31.5)	356 (14.0)	1750 (3858 LB)
500 (20")	1321 (52.0)	1840 (72.4)	* 800 (31.5)	356 (14.0)	2380 (5247 LB)
600 (24")	1549 (61.0)	2310 (90.9)	* 900 (35.4)	381 (15.0)	3650 (8047 LB)