



ASME CLASS:
1500

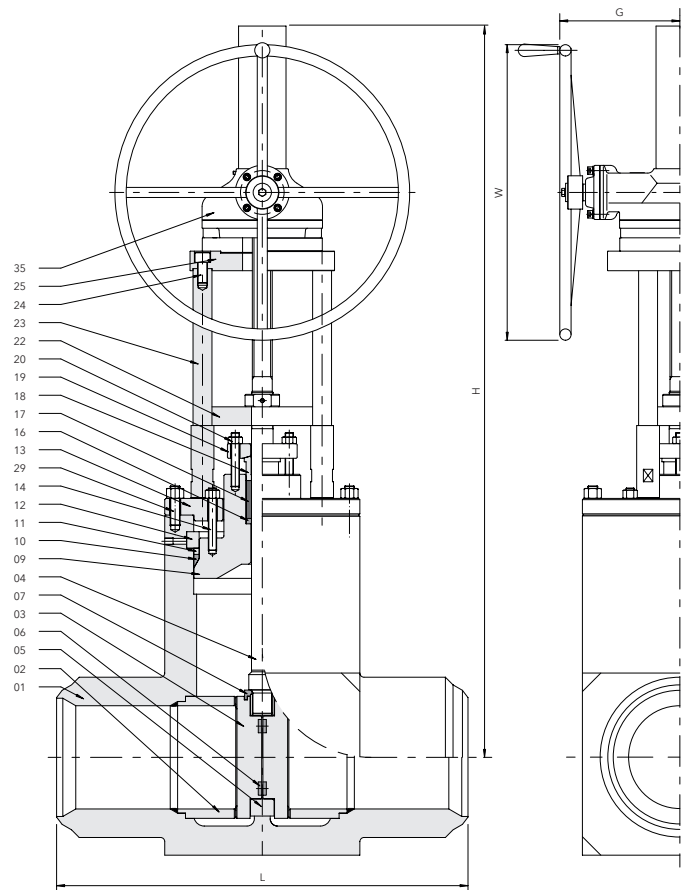
EN CLASS:
PN 250

FEATURES

Body	Forged Steel, T-type
Construction	Parallel Slide - Pressure Seal Bonnet - Integral Backseat
Design	ASME B16.34 - API 600 - BS-EN 10434 - EN 12516
Pressure Testing	ASME B16.34 - API 598 - EN 12266
End Connections	Buttwelding
Operation	Handwheel - Gearbox (recommended for items with *) - Electric or Pneumatic Actuator
Options	Double Disc - Flexible Wedge
Auxiliaries	Auxiliary Connections and/or Protection Against Pressure Locking
Accessories	Limit Switches - Locking Device - Stem Cover (others on request)
Body	(S)A105N - (S)A182-F11 - (S)A182-F22 - (S)A182-F91 - (S)A182-F92 (others on request)
EN-materials	1.0460 - 13CrMo4.5 - 11CrMo9.10 - 1.4903 - 1.4901 - 1.6368

MATERIALS

01. Body	(S) A105N (see above)
02. Seat Ring	A105 + Stellite #12
03. Parallel Disc	A105 + Stellite #6
04. Stem	A479-410
05. Disc Holder	13 CR
06. Belleville Springs	Inconel 718
07. Disc Guide	13 CR
09. Bonnet	(S) A105 N
10. Gasket	Graphite / S.S.
11. Thrust Ring	13 CR
12. Segmental Ring	13 CR
13. Bonnet Clamp	Carbon Steel
14. Bonnet Bolting	A193-B7 / A194-2H
16. Ring	13 CR
17. Stem Packing	Graphite
18. Gland	A276-410
19. Gland Follower	A105
20. Gland Bolting	A193-B7 / A194-2H
22. Position Indicator	Carbon Steel
23. Yoke Bar	Carbon Steel
24. Yoke Bolt	A307-B
25. Yoke Flange	Carbon Steel
29. Clamp Bolting	A193-B7 / A194-2H
35. Gearbox	



MAIN DIMENSIONS IN MM (INCH)

NOM. SIZE	L	H	W	G	CV	WEIGHT KG
150 (6")	559 (22.0)	940 (37.0)	500 (19.7)	-	1650	275 (606 LB)
200 (8")	711 (28.0)	1150 (45.3)	* 500 (19.7)	264 (10.4)	2850	410 (904 LB)
250 (10")	864 (34.0)	1325 (52.2)	* 630 (24.8)	289 (11.4)	4400	740 (1631 LB)
300 (12")	991 (39.0)	1600 (63.0)	* 630 (24.8)	353 (13.9)	6300	1240 (2734 LB)
350 (14")	1067 (42.0)	1670 (65.7)	* 710 (28.0)	353 (13.9)	7550	1370 (3020 LB)
400 (16")	1194 (47.0)	1876 (73.9)	* 800 (31.5)	415 (16.3)	9900	1980 (4365 LB)
450 (18")	1346 (53.0)	2086 (82.1)	* 900 (35.4)	415 (16.3)	12600	2560 (5644 LB)
500 (20")	1473 (58.0)	2276 (89.6)	* 900 (35.4)	460 (18.1)	15800	3680 (8113 LB)
600 (24")	1676 (66.0)	2450 (96.5)	* 1000 (39.4)	500 (19.7)	25000	5880 (12963 LB)