

**FEATURES**

Body	Forged Steel, Y-pattern
Construction	Integral Bonnet (Bonnetless) - Floating Backseat
Design	ASME B16.34 - BS-EN 15761 - EN 12516
Pressure Testing	ASME B16.34 - API 598 - ISO 5208 - MSS SP-61 - DIN 3230 - EN 12266
End Connections	Buttwelding - Clamp Connectors
Operation	Handwheel - Gearbox - Electric or Pneumatic Actuator
Options	Fixed Backseat - Parabolic Disc
Accessories	Limit Switches - Locking Device - Live Loaded Gland
Body	SA105N - SA182-F22 - SA182-F91 - SA182-F316(L) (others on request)
EN-materials	1.0460 - 10CrMo9.10 - 1.4903 - 1.4401
Trim	17 CR / Stellite - F316(L) / Stellite

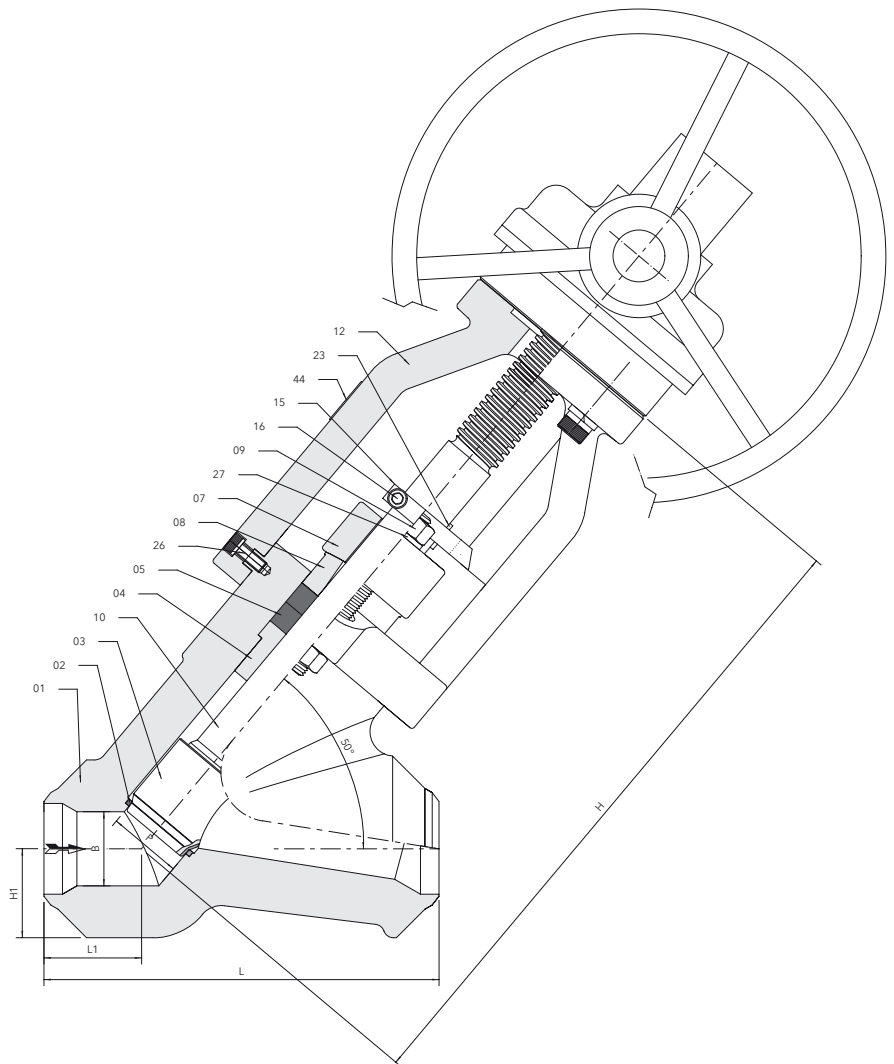
ASME CLASS:
900 - 2700

API CLASS:
6.000 PSI

EN CLASS:
PN 160 - PN 500

MATERIALS

01. Body	Various (see above)
02. Seat	Stellite
03. Disc	F316 / Stellite
04. Backseat	A182-F316(L)
05. Stem Packing	Graphite
07. Gland Flange	42CrMo4
08. Gland	A182-F316(L)
09. Gland Bolt / Nut	A193-B7 / A194-2H
10. Stem	17 CR (see above)
12. Yoke / Flange	A216-WCB
15. Position Indicator	Carbon Steel
16. Bolt	Steel Zinc Plated
23. Parallel Key	Stainless Steel
26. Bolt	Steel Zinc Plated
27. Springwasher	Steel Zinc Plated
44. Nameplate	Aluminium

**MAIN DIMENSIONS IN MM (INCH)**

NOM. SIZE	P	B	L	H	H1	L1	CV	WEIGHT KG
65 (2-1/2")	50 (1.97)	50 (1.97)	320 (12.60)	530 (20.9)	72 (2.8)	79 (3.1)	95.9	90 (198 LB)
80 (3")	60 (2.36)	60 (2.36)	320 (12.60)	530 (20.9)	72 (2.8)	79 (3.1)	142.4	87 (192 LB)