



FEATURES

Body	Forged Steel, T-type
Construction	Integral Bonnet (Bonnetless) - Floating Backseat
Design	ASME B16.34 - BS-EN 15761 - DIN 3840 - EN 12516
Pressure Testing	ASME B16.34 - API 598 - ISO 5208 - MSS SP-61 - DIN 3230 - EN 12266
End Connections	Socket-welding - Buttwelding - Threaded - Clamp Connectors
Operation	Electric Actuator
Options	Fixed Backseat - Parabolic Disc
Accessories	Live Loaded Gland
Body	SA105N - SA182-F12 - SA182-F22 - SA182-F91 (others on request)
EN-materials	1.0460 - 13CrMo4.5 - 10CrMo9.10 - 1.4903
Trim	17 CR (1.4122) / Stellite - F316 (1.4401) / Stellite - 431 (1.4057)

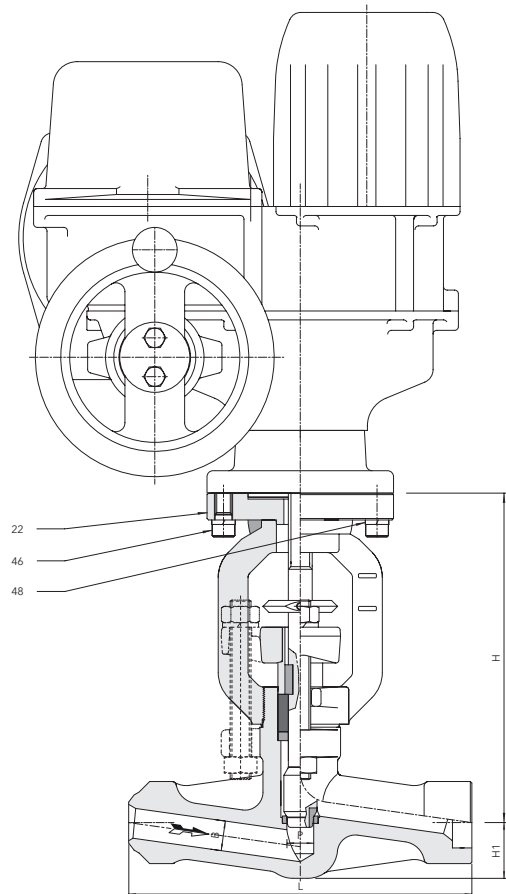
ASME CLASS:
1500 - 2500

API CLASS:
6.000 PSI

EN CLASS:
PN 160 - PN 640

MATERIALS

01. Body	Various (see above)
02. Seat	Stellite
04. Backseat	AISI 304
05. Stem Packing	Graphite
07. Gland / Flange	AISI 304 / Carbon Steel
09. Gland Bolt / Nut	A193-B7 / A194-2H
11. Stem / Disc	17 CR / Stellite (see above)
12. Flange / Yoke	Carbon Steel
15. Position Indicator	17 CR
22. Topflange	Carbon Steel
23. Parallel Key	Stainless Steel
25. Set Screw	Steel Zinc Plated
27. Springwasher	Steel Zinc Plated
44. Nameplate	Aluminium
47. Head Cap Screw	Steel Zinc Plated
48. Spring Washer	Steel Zinc Plated



MAIN DIMENSIONS IN MM (INCH)

NOM. SIZE	P	B	L	H	H1	CV	WEIGHT KG
10 (3/8")	11 (0.43)	7 (0.28)	210 (8.27)	205 (8.1)	25 (1.0)	1.2	5.0 (11.0 LB)
15 (1/2")	11 (0.43)	11 (0.43)	210 (8.27)	205 (8.1)	25 (1.0)	2.5	4.9 (10.8 LB)
20 (3/4")	18 (0.71)	16 (0.63)	230 (9.06)	220 (8.7)	38 (1.5)	6.1	8.2 (18.1 LB)
25 (1")	18 (0.71)	20 (0.79)	230 (9.06)	220 (8.7)	38 (1.5)	7.1	8.0 (17.6 LB)
32 (1-1/4")	36 (1.42)	30 (1.18)	300 (11.81)	350 (13.8)	72 (2.8)	23.2	30.3 (66.8 LB)
40 (1-1/2")	36 (1.42)	30 (1.18)	300 (11.81)	350 (13.8)	72 (2.8)	23.2	30.3 (66.8 LB)
50 (2")	36 (1.42)	40 (1.57)	300 (11.81)	350 (13.8)	72 (2.8)	31.5	28.8 (63.5 LB)