



FEATURES

Body	Forged Steel, T-type
Construction	Integral Bonnet (Bonnetless) - Floating Backseat
Design	ASME B16.34 - BS-EN 15761 - DIN 3840 - EN 12516
Pressure Testing	ASME B16.34 - API 598 - ISO 5208 - MSS SP-61 - DIN 3230 - EN 12266
End Connections	Socket-welding - Buttwelding - Threaded - Clamp Connectors
Operation	Pneumatic Actuator
Options	Fixed Backseat - Electropneumatic Positioner - Parabolic Disc
Accessories	Limit Switches - Proximity Switches - Solenoid - Filter Reducer - Junction Box
Body	SA105N - SA182-F12 - SA182-F22 - SA182-F91 (others on request)
EN-materials	1.0460 - 13CrMo4.5 - 10CrMo9.10 - 1.4903
Trim	17 CR (1.4122) / Stellite - F316 (1.4401) / Stellite - 431 (1.4057)

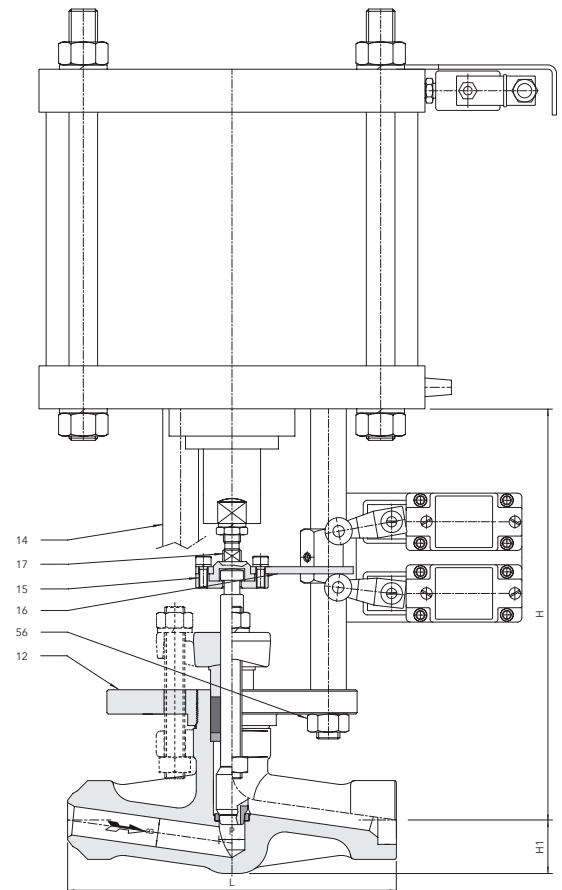
ASME CLASS:
1500 - 2500

API CLASS:
6.000 PSI

EN CLASS:
PN 160 - PN 640

MATERIALS

01. Body	Various (see above)
02. Seat	Stellite
04. Backseat	AISI 304
05. Stem Packing	Graphite
06. Gland	AISI 304
09. Studbolts / Nut	A193-B7 / A194-2H
11. Stem / Disc	17 CR / Stellite (see above)
12. Flange On Body	Carbon Steel
14. Spacer Columns	C22.8
15. Coupling	17 CR
16. Position Indicator	F316
17. Threaded Stem	17 CR
27. Springwasher	Steel Zinc Plated
44. Nameplate	Aluminium
50. Mounting Block	AISI 304
51. Mounting Plate	C22
56. Nut / Springwasher	Steel Zinc Plated



MAIN DIMENSIONS IN MM (INCH)

NOM. SIZE	P	B	L	H	H1	CV	WEIGHT KG
10 (3/8")	11 (0.43)	7 (0.28)	210 (8.27)	205 (8.1)	25 (1.0)	1.2	5.0 (11.0 LB)
15 (1/2")	11 (0.43)	11 (0.43)	210 (8.27)	205 (8.1)	25 (1.0)	2.5	4.9 (10.8 LB)
20 (3/4")	18 (0.71)	16 (0.63)	230 (9.06)	220 (8.7)	38 (1.5)	6.1	8.2 (18.1 LB)
25 (1")	18 (0.71)	20 (0.79)	230 (9.06)	220 (8.7)	38 (1.5)	7.1	8.0 (17.6 LB)
32 (1-1/4")	36 (1.42)	30 (1.18)	300 (11.81)	350 (13.8)	72 (2.8)	23.2	30.3 (66.8 LB)
40 (1-1/2")	36 (1.42)	30 (1.18)	300 (11.81)	350 (13.8)	72 (2.8)	23.2	30.3 (66.8 LB)
50 (2")	36 (1.42)	40 (1.57)	300 (11.81)	350 (13.8)	72 (2.8)	31.5	28.8 (63.5 LB)