

**FEATURES**

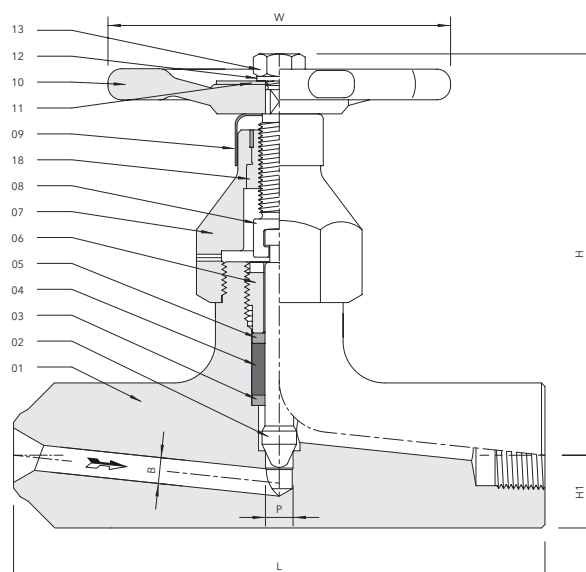
Body	Forged Steel, T-type
Construction	Integral Bonnet (Bonnetless) - Integral Seat - Floating Backseat
Design	ASME B16.34 - BS 5352 - API 6A - EN 12516
Pressure Testing	ASME B16.34 - BS 6755 - API 598 - EN 12266
End Connections	Buttwelding - Socket-welding ($\leq 1/2''$) - Threaded ($\leq 1/2''$)
Operation	Handwheel
Accessories	Stem Extension
Body	SA350 LF2 - SA182 F316(L) - SA182 F51 (others on request)

ASME CLASS:
900 - 4500

API CLASS:
10.000 PSI

MATERIALS

01. Body	Various (see above)
02. Stem / Disc	Monel K500
03. Backseat	A182-F316
04. Stem Packing	Graphite
05. Ring	A182-F316
06. Gland	A182-F316
07. Cap	AISI 304
08. Threaded Rod	13 CR
09. Stem Protection	A182-F316
10. Handwheel	Carbon Steel
11. Nameplate	Aluminium
12. Springwasher	Stainless Steel
13. Nut	Stainless Steel
18. Yoke Sleeve	Aluminium-Bronze

**MAIN DIMENSIONS IN MM (INCH)**

NOM. SIZE	P	B	L	H	H1	W	WEIGHT KG
8 (1/4")	8 (0.31)	8 (0.31)	132 (5.20)	120 (4.7)	21 (0.8)	100 (3.9)	1.70 (3.8 LB)
10 (3/8")	8 (0.31)	8 (0.31)	132 (5.20)	120 (4.7)	21 (0.8)	100 (3.9)	1.70 (3.8 LB)
15 (1/2")	8 (0.31)	8 (0.31)	132 (5.20)	120 (4.7)	21 (0.8)	100 (3.9)	1.70 (3.8 LB)
20 (3/4")	8 (0.31)	8 (0.31)	137 (5.39)	120 (4.7)	21 (0.8)	100 (3.9)	1.75 (3.9 LB)
25 (1")	8 (0.31)	8 (0.31)	154 (6.06)	120 (4.7)	21 (0.8)	100 (3.9)	1.95 (4.3 LB)