



FEATURES

Body	Forged Steel, Y-pattern
Construction	Integral Bonnet (Bonnetless) - Floating Backseat
Design	ASME B16.34 - BS-EN 15761 - EN 12516
Pressure Testing	ASME B16.34 - API 598 - ISO 5208 - MSS SP-61 - DIN 3230 - EN 12266
End Connections	Socket-welding - Buttwelding - Threaded - Clamp Connectors - Flanged
Operation	Handwheel
Options	Fixed Backseat - Non-rotating One-piece Stem/Disc for Electric or Pneumatic Actuator
Accessories	Limit Switches - Locking Device - Position Indicator - Live Loaded Gland
Body	SA105N - SA182-F22 - SA182-F91 - SA182-F316(L) (others on request)
EN-materials	1.0460 - 10CrMo9.10 - 1.4903 - 1.4401
Trim	17 CR (1.4122) / Stellite - F316 (1.4401) / Stellite

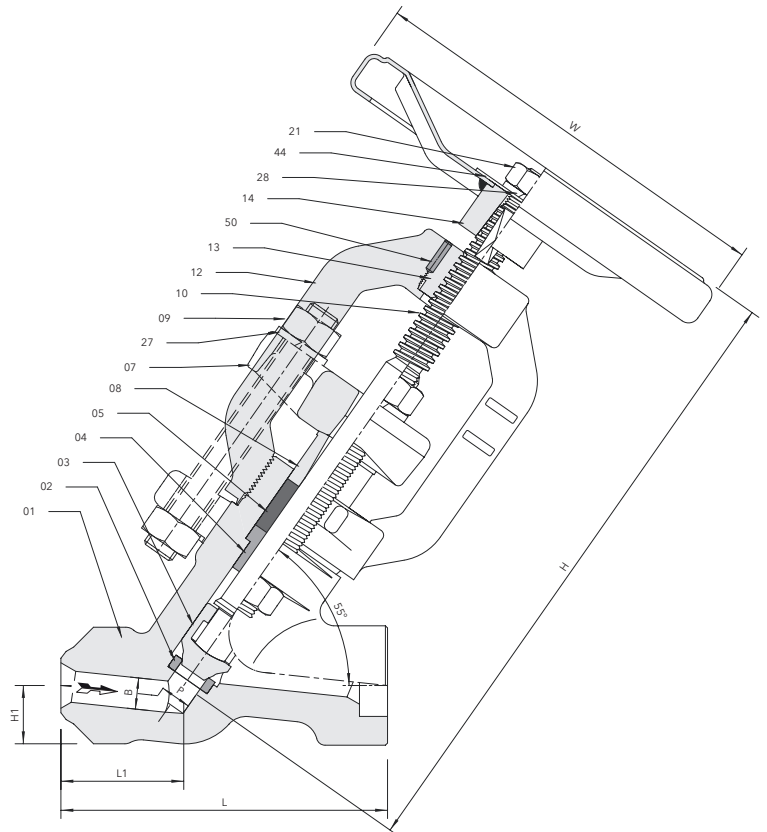
ASME CLASS:
1500 - 2700

API CLASS:
6.000 PSI

EN CLASS:
PN 160 - PN 500

MATERIALS

01. Body	Various (see above)
02. Seat	Stellite
03. Disc	Stellite
04. Backseat	AISI 304
05. Stem Packing	Graphite
07. Gland Flange	Carbon Steel
08. Gland	AISI 304
09. Gland Bolt / Nut	A193-B7 / A194-2H
10. Stem	17 CR (see above)
12. Yoke	Carbon Steel
13. Yoke Sleeve	Aluminium-Bronze
14. Handwheel	Carbon Steel
21. Nut	Steel Zinc Plated
27. Springwasher	Steel Zinc Plated
28. Springwasher	Steel Zinc Plated
44. Nameplate	Aluminium
50. Pin	Hardened Steel



MAIN DIMENSIONS IN MM (INCH)

NOM. SIZE	P	B	L	H	H1	W	L1	CV	WEIGHT KG
10 (3/8")	11 (0.43)	7 (0.28)	115 (4.53)	236 (9.3)	21 (0.8)	150 (5.9)	43.3 (1.7)	1.5	3.4 (7.5 LB)
15 (1/2")	11 (0.43)	11 (0.43)	115 (4.53)	236 (9.3)	21 (0.8)	150 (5.9)	43.3 (1.7)	2.7	3.3 (7.3 LB)
20 (3/4")	18 (0.71)	16 (0.63)	140 (5.51)	291 (11.5)	29 (1.1)	200 (7.9)	51.5 (2.0)	8.0	5.9 (13.0 LB)
25 (1")	18 (0.71)	20 (0.79)	140 (5.51)	291 (11.5)	29 (1.1)	200 (7.9)	51.5 (2.0)	8.7	5.7 (12.6 LB)
32 (1-1/4")	36 (1.42)	30 (1.18)	245 (9.65)	469 (18.5)	50 (2.0)	350 (13.8)	85.0 (3.4)	34.4	28.9 (68.7 LB)
40 (1-1/2")	36 (1.42)	30 (1.18)	245 (9.65)	469 (18.5)	50 (2.0)	350 (13.8)	85.0 (3.4)	34.4	28.9 (68.7 LB)
50 (2")	36 (1.42)	40 (1.57)	245 (9.65)	469 (18.5)	50 (2.0)	350 (13.8)	85.0 (3.4)	44.2	27.6 (60.8 LB)