

## FEATURES

Body	Forged Steel, Angle Type
Construction	Integral Bonnet (Bonnetless) - Floating Backseat - Bayonet Body/Yoke-Connection
Design	ASME B16.34 - BS-EN-ISO 15761 - EN 12516
Pressure Testing	ASME B16.34 - API 598 - ISO 5208 - MSS SP-61 - DIN 3230 - EN 12266
End Connections	Socket-welding - Buttwelding - Threaded - Clamp Connectors - Flanged
Operation	Electric Actuator
Options	Fixed Backseat - Parabolic Disc
Accessories	Live Loaded Gland
Body	SA105N - SA182-F12 - SA182-F22 - SA182-F91 (others on request)
EN-materials	1.0460 - 13CrM04.5 - 11CrMo9.10 - 1.4903
Trim	17 CR (1.4122) / Stellite - F316 (1.4401) / Stellite

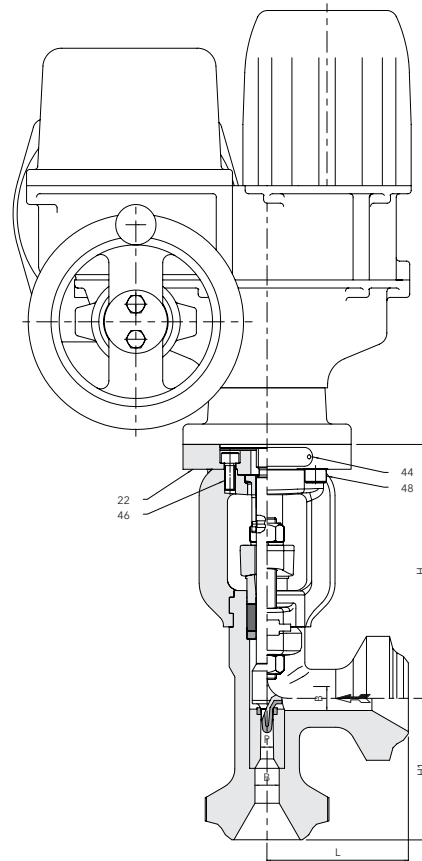
ASME CLASS:  
**1500 - 2500**

API CLASS:  
**6.000 PSI**

EN CLASS:  
**PN 160 - PN 400**

## MATERIALS

01. Body	Various (see above)
02. Seat	Stellite
03. Venturi	A182-F316
04. Backseat	AISI 304
05. Stem Packing	Graphite
07. Gland Flange	Carbon Steel
08. Gland	AISI 304
09. Gland Bolt / Nut	A193-B7 / A194-2H
11. Stem / Disc	17 CR / Stellite (see above)
12. Yoke	Carbon Steel
15. Guiding Bush	AISI 304
22. Topflange	Carbon Steel
24. Guide Pin	AISI 430
27. Springwasher	Steel Zinc Plated
32. Thin Nut	Steel Zinc Plated
35. Cross Key	13 CR
44. Nameplate	Stainless Steel
46. Head Cap Screw	Steel Zinc Plated
48. Head Cap Screw	Steel Zinc Plated



## MAIN DIMENSIONS IN MM (INCH)

NOM. SIZE	P	B	L	H	H1	WEIGHT KG
10 (3/8")	18 (0.71)	11 (0.43)	75 (2.95)	189 (7.4)	75 (2.95)	8.1 (17.9 LB)
15 (1/2")	18 (0.71)	11 (0.43)	75 (2.95)	189 (7.4)	75 (2.95)	8.1 (17.9 LB)
20 (3/4")	18 (0.71)	14 (0.55)	75 (2.95)	189 (7.4)	75 (2.95)	8.0 (17.6 LB)
25 (1")	18 (0.71)	18 (0.71)	75 (2.95)	189 (7.4)	75 (2.95)	7.9 (17.4 LB)
32 (1-1/4")	18 (0.71)	18 (0.71)	105 (4.13)	189 (7.4)	105 (4.13)	10.7 (23.6 LB)
40 (1-1/2")	18 (0.71)	18 (0.71)	105 (4.13)	189 (7.4)	105 (4.13)	10.7 (23.6 LB)
50 (2")	18 (0.71)	18 (0.71)	105 (4.13)	189 (7.4)	105 (4.13)	10.7 (23.6 LB)
65 (2-1/2")	18 (0.71)	18 (0.71)	105 (4.13)	189 (7.4)	105 (4.13)	10.7 (23.6 LB)