

FEATURES

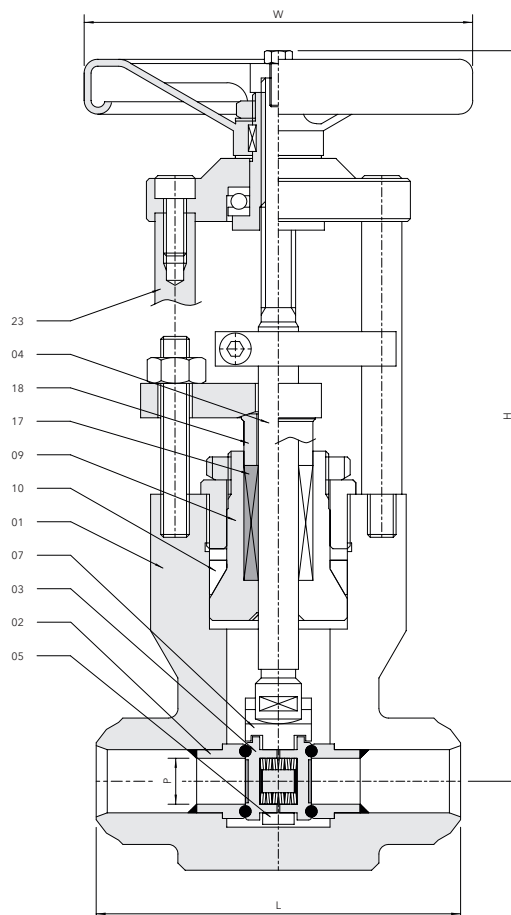
Body	Forged Steel, T-type
Construction	Parallel Slide - Pressure Seal Bonnet - Integral Backseat
Design	ASME B16.34 - BS-EN 15761 - EN 12516
Pressure Testing	ASME B16.34 - API 598 - EN 12266
End Connections	Socket-welding - Buttwelding - Flanged
Operation	Handwheel
Options	Non-Rotating Stem for Electric or Pneumatic Actuator
Accessories	Limit Switches - Locking Device - Stem Cover (others on request)
Body	(S)A105N - (S)A182-F22 - (S)A182-F91 - (S)A182-F316(L) (others on request)
EN-materials	1.0460 - 11CrMo9.10 - 1.4903 - 1.4401

ASME CLASS:
900 - 1500

EN CLASS:
PN 250

MATERIALS

01. Body	(S) A105N (see above)
02. Seat	A105 + Stellite
03. Disc	A276-410 + Stellite
04. Stem	A479-410
05. Disc Holder	A351 CF8M
07. Disc Guide	13 CR
09. Bonnet	(S) A105N
10. Gasket	Graphite
17. Stem Packing	Graphite
18. Gland	A276-410
23. Yoke Bar	Stainless Steel



MAIN DIMENSIONS IN MM (INCH)

NOM. SIZE	P	L	H	W	WEIGHT KG
15 (1/2")	12 (0.5)	117 (4.6)	285 (11.2)	175 (6.9)	8 (17.6 LB)
20 (3/4")	15 (0.6)	117 (4.6)	285 (11.2)	175 (6.9)	8 (17.6 LB)
25 (1")	20 (0.8)	130 (5.1)	308 (12.1)	175 (6.9)	10 (22.0 LB)
32 (1-1/4")	31 (1.2)	165 (6.5)	384 (15.1)	200 (7.9)	16 (35.3 LB)
40 (1-1/2")	31 (1.2)	165 (6.5)	384 (15.1)	200 (7.9)	16 (35.3 LB)
50 (2")	45 (1.8)	203 (8.0)	468 (18.4)	250 (9.8)	28 (61.7 LB)