

FEATURES

Body	Forged Steel, Angle Type
Construction	Pressure Seal Bonnet - Bayonet Body/Cap-Connection
Design	ASME B16.34 - BS-EN-ISO 15761 - EN 12516
Pressure Testing	ASME B16.34 - API 598 - ISO 5208 - MSS SP-61 - DIN 3230 - EN 12266
End Connections	Socket-welding - Buttwelding - Threaded - Clamp Connectors - Flanged
Body	SA105N - SA182-F12 - SA182-F22 - SA182-F91 (others on request)
EN-materials	1.0460 - 13CrMo4.5 - 11CrMo9.10 - 1.4903
Trim	Spring Assisted Stellite Piston (04.A) or Stainless Steel Ball (05.A)

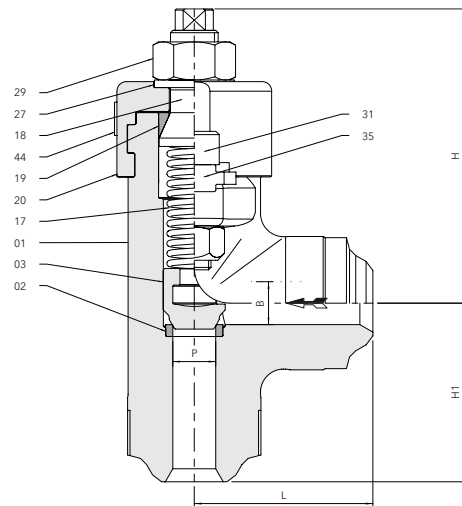
ASME CLASS:
1500 - 2500

API CLASS:
6.000 PSI

EN CLASS:
PN 160 - PN 400

MATERIALS

01. Body	Various (see above)
02. Seat	Stellite 6
03. Disc	Stellite 6
17. Spring	AISI 302
18. Bonnet	A182-F316(L)
19. Gasket	A182-F316(L)
20. Cap	Carbon Steel
27. Springwasher	Steel Zinc Plated
29. Bonnet Nut	Steel Zinc Plated
31. Lock Bolt / Nut	Steel Zinc Plated
35. Cross Key	13 CR
44. Nameplate	Stainless Steel



MAIN DIMENSIONS IN MM (INCH)

NOM. SIZE	P	B	L	H	H1	CV	WEIGHT KG
10 (3/8")	18 (0.71)	11 (0.43)	75 (2.95)	147 (5.8)	75 (2.95)	4.0	4.3 (9.5 LB)
15 (1/2")	18 (0.71)	11 (0.43)	75 (2.95)	147 (5.8)	75 (2.95)	4.0	4.3 (9.5 LB)
20 (3/4")	18 (0.71)	14 (0.55)	75 (2.95)	147 (5.8)	75 (2.95)	7.4	4.3 (9.5 LB)
25 (1")	18 (0.71)	18 (0.71)	75 (2.95)	147 (5.8)	75 (2.95)	12.2	4.3 (9.5 LB)
32 (1-1/4")	36 (1.42)	28 (1.10)	175 (6.89)	187 (7.4)	175 (6.89)	27.4	25.1 (55.3 LB)
40 (1-1/2")	36 (1.42)	28 (1.10)	175 (6.89)	187 (7.4)	175 (6.89)	27.4	25.1 (55.3 LB)
50 (2")	36 (1.42)	36 (1.42)	175 (6.89)	187 (7.4)	175 (6.89)	45.3	25.1 (55.3 LB)