

**FEATURES**

Body	Forged Steel, Y-pattern
Construction	Integral Bonnet (Bonnetless) - Floating Backseat - Bayonet Body/Yoke-Connection
Design	ASME B16.34 - BS-EN-ISO 15761 - EN 12516
Pressure Testing	ASME B16.34 - API 598 - ISO 5208 - MSS SP-61 - DIN 3230 - EN 12266
End Connections	Socket-welding - Buttwelding - Threaded - Clamp Connectors - Flanged
Operation	Handwheel
Options	Fixed Backseat - Non-rotating One-piece Stem/Disc for Electric or Pneumatic Actuator
Accessories	Limit Switches - Locking Device - Position Indicator - Live Loaded Gland
Body	SA105N - SA350-LF2 - SA182-F22 - F91 - F92 - F316(L) (others on request)
EN-materials	1.0460 - 13CrMo4.5 - 11CrMo9.10 - 1.4903 - 1.4901 - 1.4404
Trim	17 CR (1.4122) / Stellite - F316 (1.4401) / Stellite

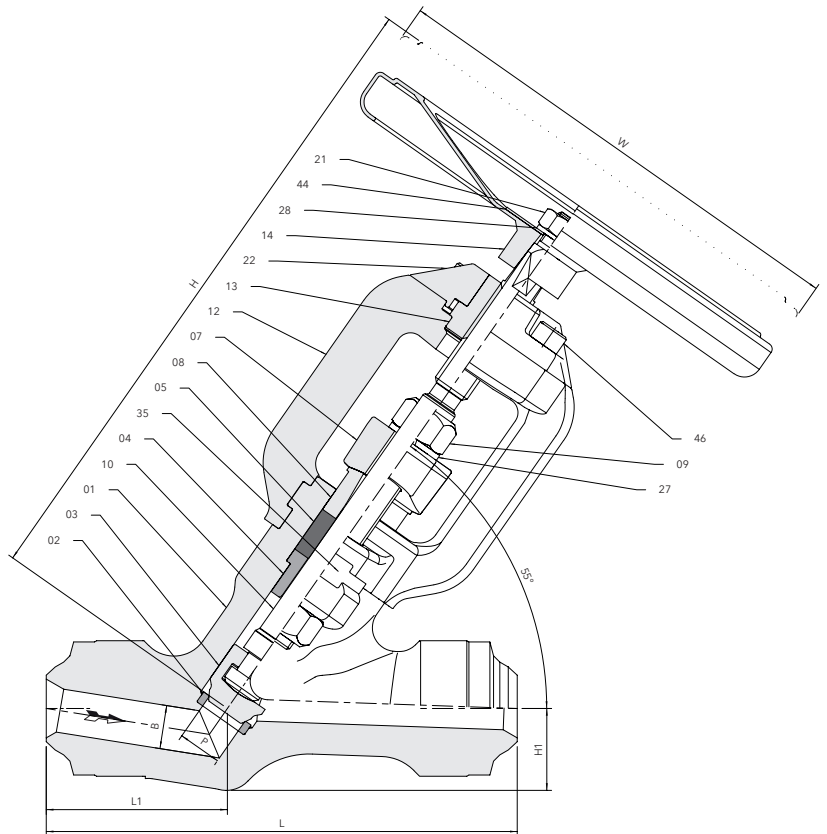
ASME CLASS:  
**1500 - 2700**

API CLASS:  
**6.000 PSI**

EN CLASS:  
**PN 160 - PN 400**

**MATERIALS**

01. Body	Various (see above)
02. Seat	Stellite
03. Disc	Stellite
04. Backseat	AISI 304
05. Stem Packing	Graphite
07. Gland Flange	Carbon Steel
08. Gland	AISI 304
09. Gland Bolt / Nut	A193-B7 / A194-2H
10. Stem	17 CR (see above)
12. Yoke	Carbon Steel
13. Yoke Sleeve	Aluminium-Bronze
14. Handwheel	Carbon Steel
21. Nut	Steel Zinc Plated
22. Yoke Cap	Carbon Steel
27. Springwasher	Steel Zinc Plated
28. Springwasher	Steel Zinc Plated
35. Cross Key	13 CR
44. Nameplate	Stainless Steel
46. Yoke Cap Bolt	Steel Zinc Plated

**MAIN DIMENSIONS IN MM (INCH)**

NOM. SIZE	P	B	L	L1	H	H1	W	CV	WEIGHT KG
10 (3/8")	14 (0.55)	11 (0.43)	166 (6.54)	67 (2.6)	230 (9.1)	27 (1.1)	150 (5.9)	3.7	4.6 (10.1 LB)
15 (1/2")	14 (0.55)	11 (0.43)	166 (6.54)	67 (2.6)	230 (9.1)	27 (1.1)	150 (5.9)	3.7	4.6 (10.1 LB)
20 (3/4")	14 (0.55)	14 (0.55)	166 (6.54)	67 (2.6)	230 (9.1)	27 (1.1)	150 (5.9)	5.2	4.5 (9.9 LB)
25 (1")	18 (0.71)	18 (0.71)	195 (7.68)	75 (3.0)	272 (10.7)	34 (1.3)	200 (7.9)	8.5	7.5 (16.5 LB)
32 (1-1/4")	28 (1.10)	28 (1.10)	232 (9.13)	96 (3.8)	360 (14.2)	44 (1.7)	250 (9.8)	27.2	17.0 (37.5 LB)
40 (1-1/2")	28 (1.10)	28 (1.10)	232 (9.13)	96 (3.8)	360 (14.2)	44 (1.7)	250 (9.8)	27.2	17.0 (37.5 LB)
50 (2")	36 (1.42)	36 (1.42)	279 (10.98)	117 (4.6)	427 (16.8)	55 (2.2)	350 (13.8)	46.9	30.0 (66.1 LB)