

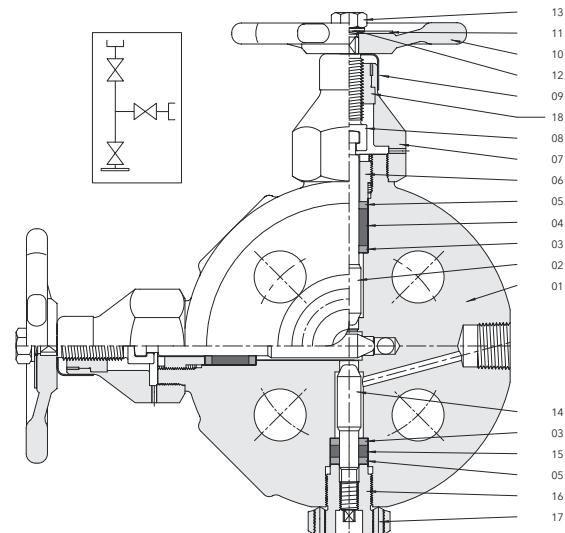
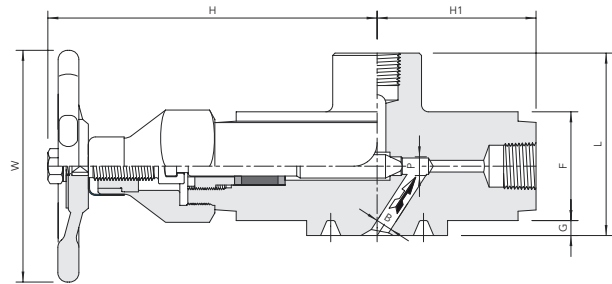
**FEATURES**

Body	Forged Steel, Monoflange
Construction	Integral Bonnet (Bonnetless) - Integral Seat - Floating Backseat
Design	ASME B16.34 - BS 5352 - API 6A - EN 12516
Pressure Testing	ASME B16.34 - BS 6755 - API 598 - EN 12266
Inlet	Flanged ASME B16.5
Outlet & Bleed	Threaded Female 1/2" API acc. API 5B or 1/2" NPT acc. ASME B1.20.1
Other Outlet	Flanged (RTJ or RF) acc. ASME B16.5
Operation	Handwheel
Accessories	Stem Extension (others on request)
Body	SA350 LF2 - SA182 F316(L) - SA182 F51 (others on request)

ASME CLASS:
600 - 2500

MATERIALS

01. Body	Various (see above)
02. Stem / Disc	Monel K500
03. Backseat	A182-F316
04. Stem Packing	Graphite
05. Ring	A182-F316
06. Gland	A182-F316
07. Cap	AISI 304
08. Threaded Rod	13 CR
09. Stem Protection	A182-F316
10. Handwheel	Carbon Steel
11. Nameplate	Aluminium
12. Springwasher	Stainless Steel
13. Nut	Stainless Steel
14. Bleeder Stem	Monel K500
15. Packing	Graphite
16. Bleeder Body	A182-F316
17. Lockscrew	Stainless Steel
18. Yoke Sleeve	Aluminium-Bronze

**MAIN DIMENSIONS IN MM (INCH)**

NOM. SIZE	CLASS	P	B	L	H	H1	W	G	F	WEIGHT KG
15 (1/2")	600	8 (0.31)	8 (0.31)	73 (2.87)	147 (5.8)	64 (2.5)	100 (3.9)	6.4 (0.3)	42 (1.7)	5.2 (11.5 LB)
25 (1")	600	8 (0.31)	8 (0.31)	73 (2.87)	147 (5.8)	64 (2.5)	100 (3.9)	6.4 (0.3)	42 (1.7)	5.3 (11.7 LB)
50 (2")	600	8 (0.31)	8 (0.31)	80 (3.15)	190 (7.5)	110 (4.3)	100 (3.9)	6.4 (0.3)	56 (2.2)	16.7 (36.8 LB)
15 (1/2")	1500	8 (0.31)	8 (0.31)	73 (2.87)	147 (5.8)	64 (2.5)	100 (3.9)	6.4 (0.3)	42 (1.7)	5.1 (11.2 LB)
25 (1")	1500	8 (0.31)	8 (0.31)	80 (3.15)	165 (6.5)	81 (3.2)	100 (3.9)	6.4 (0.3)	51 (2.0)	8.2 (18.1 LB)
50 (2")	1500	8 (0.31)	8 (0.31)	86 (3.39)	190 (7.5)	110 (4.3)	100 (3.9)	7.9 (0.3)	56 (2.2)	16.6 (36.6 LB)
15 (1/2")	2500	8 (0.31)	8 (0.31)	78 (3.07)	147 (5.8)	68 (2.7)	100 (3.9)	6.4 (0.3)	47 (1.9)	6.2 (13.7 LB)
25 (1")	2500	8 (0.31)	8 (0.31)	80 (3.15)	165 (6.5)	81 (3.2)	100 (3.9)	6.4 (0.3)	51 (2.0)	9.0 (19.8 LB)
50 (2")	2500	8 (0.31)	8 (0.31)	86 (3.39)	190 (7.5)	110 (4.3)	100 (3.9)	7.9 (0.3)	56 (2.2)	16.9 (37.2 LB)