



FEATURES

Body	Forged Steel, T-type
Construction	Pressure Seal Bonnet - Bayonet Body/Cap-Connection
Design	ASME B16.34 - BS-EN-ISO 15761 - EN 12516
Pressure Testing	ASME B16.34 - API 598 - ISO 5208 - MSS SP-61 - DIN 3230 - EN 12266
End Connections	Socket-welding - Buttwelding - Threaded - Clamp Connectors - Flanged
Body	SA105N - SA182-F12 - F22 - F91 - F92 - F316(L) (others on request)
EN-materials	1.0460 - 13CrMo4.5 - 11CrMo9.10 - 1.4903 - 1.4901 - 1.4404 - 1.5415 - 1.6368
Trim	Spring Assisted Stellite Piston (04.T) or Stainless Steel Ball (05.T)

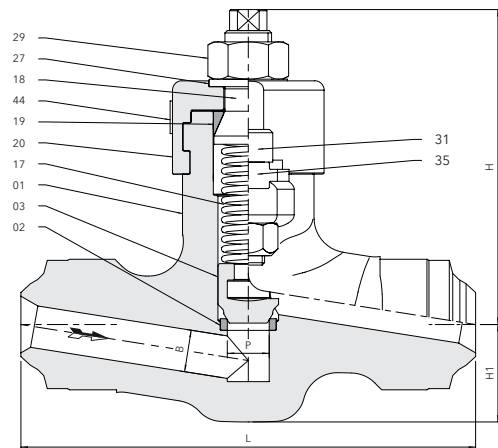
ASME CLASS:
1500 - 2500

API CLASS:
6.000 PSI

EN CLASS:
PN 160 - PN 400

MATERIALS

01. Body	Various (see above)
02. Seat	Stellite 6
03. Disc	Stellite 6
17. Spring	AISI 302
18. Bonnet	A182-F316(L)
19. Gasket	A182-F316(L)
20. Cap	Carbon Steel
27. Springwasher	Steel Zinc Plated
29. Bonnet Nut	Steel Zinc Plated
31. Lock Bolt / Nut	Steel Zinc Plated
35. Cross Key	13 CR
44. Nameplate	Stainless Steel



MAIN DIMENSIONS IN MM (INCH)

NOM. SIZE	P	B	L	H	H1	CV	WEIGHT KG
10 (3/8")	14 (0.55)	11 (0.43)	166 (6.54)	110 (4.3)	37 (1.5)	2.3	3.1 (6.8 LB)
15 (1/2")	14 (0.55)	11 (0.43)	166 (6.54)	110 (4.3)	37 (1.5)	2.3	3.1 (6.8 LB)
20 (3/4")	14 (0.55)	14 (0.55)	166 (6.54)	110 (4.3)	37 (1.5)	4.1	3.0 (6.6 LB)
25 (1")	18 (0.71)	18 (0.71)	195 (7.68)	136 (5.4)	42 (1.7)	6.7	5.0 (11.0 LB)
32 (1-1/4")	28 (1.10)	28 (1.10)	232 (9.13)	181 (7.1)	57 (2.2)	16.6	10.9 (24.0 LB)
40 (1-1/2")	28 (1.10)	28 (1.10)	232 (9.13)	181 (7.1)	57 (2.2)	16.6	10.9 (24.0 LB)
50 (2")	36 (1.42)	36 (1.42)	279 (10.98)	217 (8.5)	71 (2.8)	28.3	21.9 (48.3 LB)